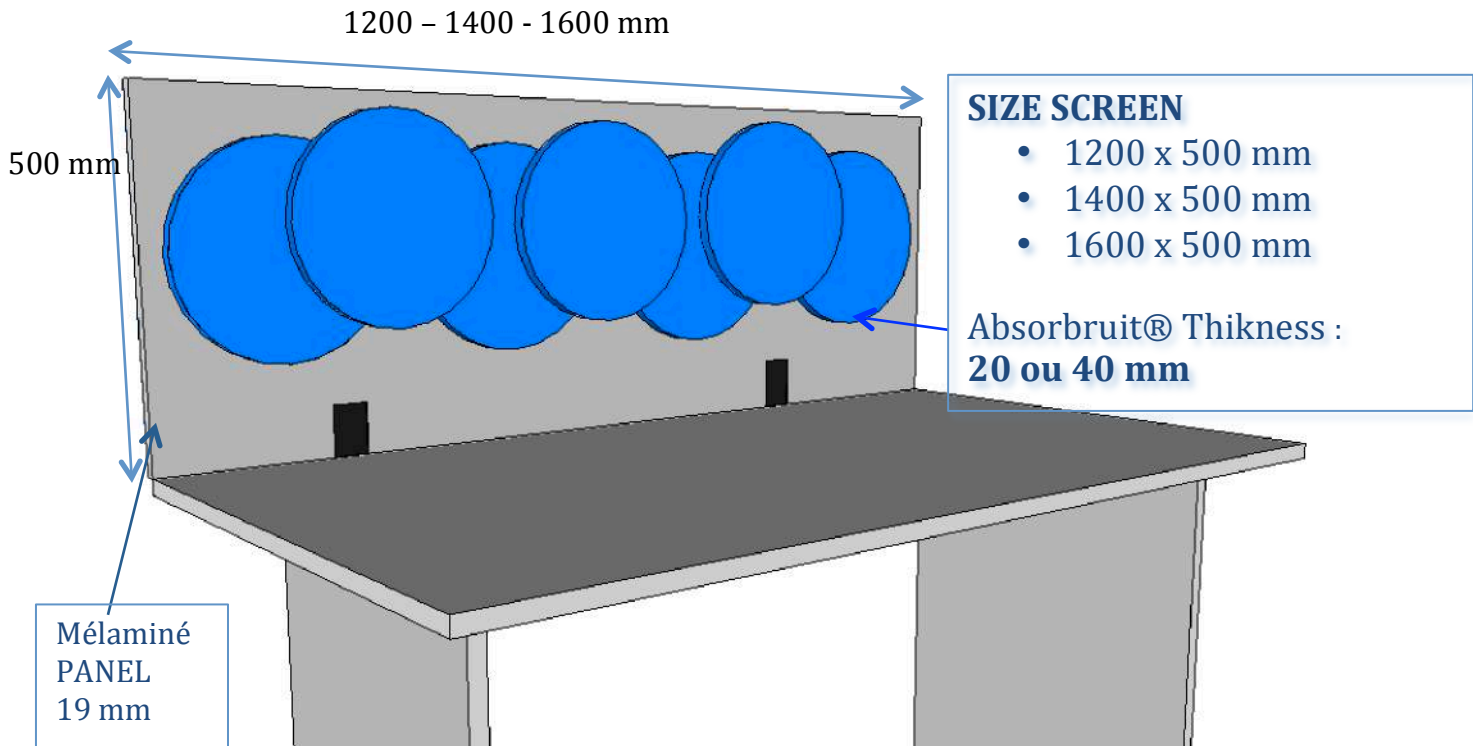


TECHNICAL SPECIFICATIONS

ACOUSTIC SCREEN Olympic 3D ON THE DESKTOP



Description Screen:

Acoustic screen on the desktop Olympic 3D is an insulated partition and sound absorption. She is ready to land on the desk with clamps.

Composition :

Acoustic partition on the office Olympic 3D is composed of a 19mm thick panel of melamine and Absorbuits® panels 20 and 40 mm thicknesses of flexible convoluted foam with exceptional quality absorption noise glued 1 side .

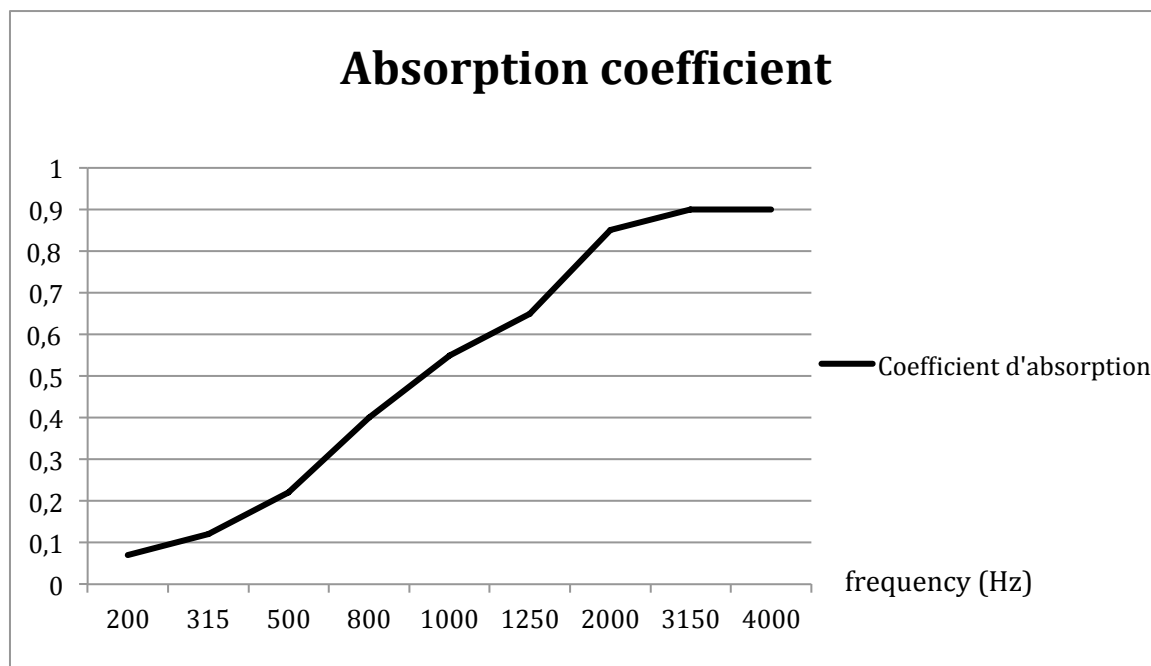


Panel wood Mélaminé



Panel Absorbuit® foam
Replaceable if damaged or needs

Curve Acoustic Absorption



Frequency (Hz)	Absorption Coefficient	Absorption Coefficient for 40 mm thickness
200	0,36	Low 0,06
315	0,66	
500	0,22	Medium 0,61
800	0,40	
1000	0,55	
1250	0,65	
2000	0,85	High 0,88
3150	0,90	
4000	0,90	

Attachment system

The fixation system proposed allows to pinch the table and the wall easily.
The attachment clip is self-fixing.

Epaisseur métal 3 mm

